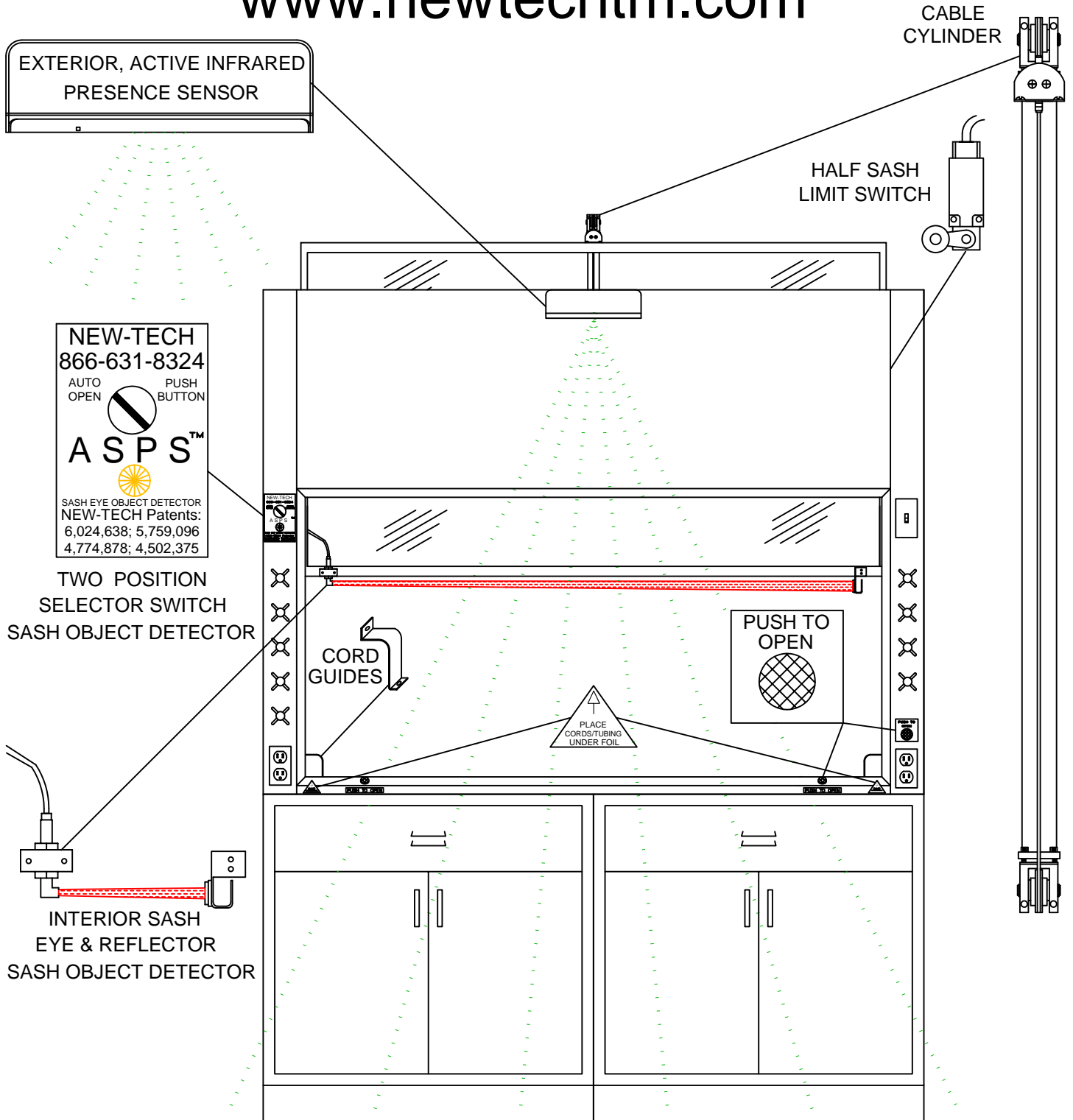


AUTOMATIC SASH POSITIONING SYSTEM

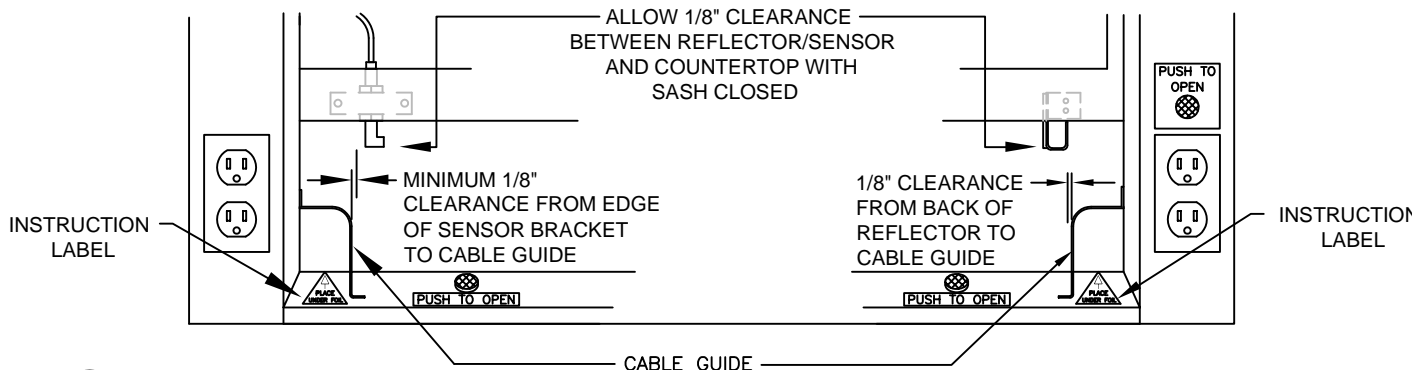
NEW-TECH™

PH. 866-631-8324

www.newtechtm.com

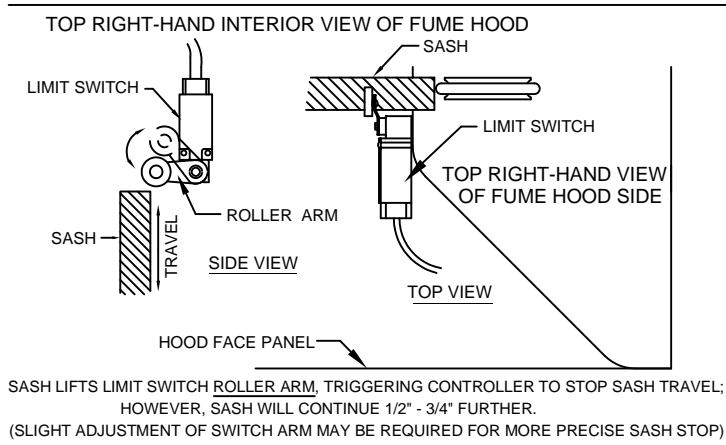


THESE PRODUCTS ARE COVERED BY ONE OR MORE OF THE FOLLOWING NEW-TECH PATENTS:
6,024,638; 5,759,096; 5,303,659; 4,774,878; 4,502,375 AND OTHER U.S.A./FOREIGN PATENTS PENDING

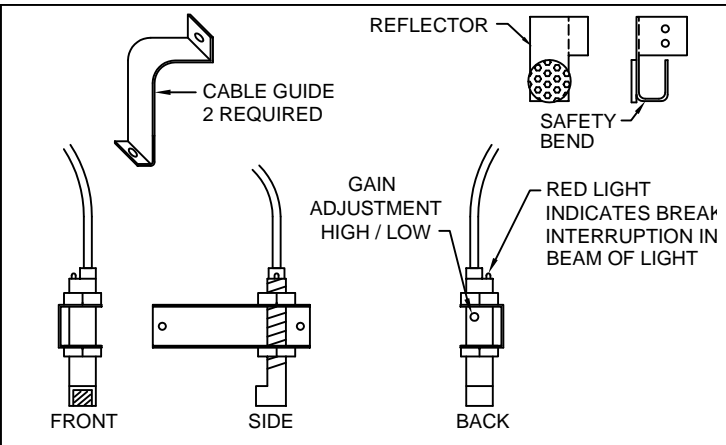


SO2 LEFT FRONT POST

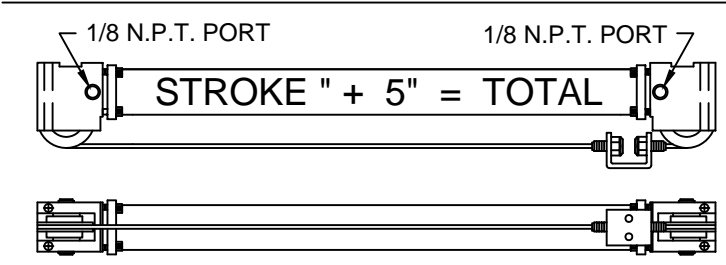
SO3 RIGHT FRONT POST



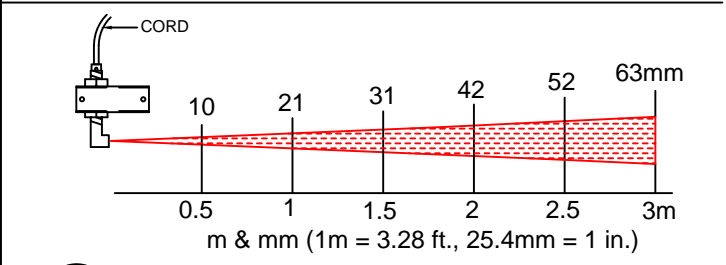
SO4 LIMIT SWITCH



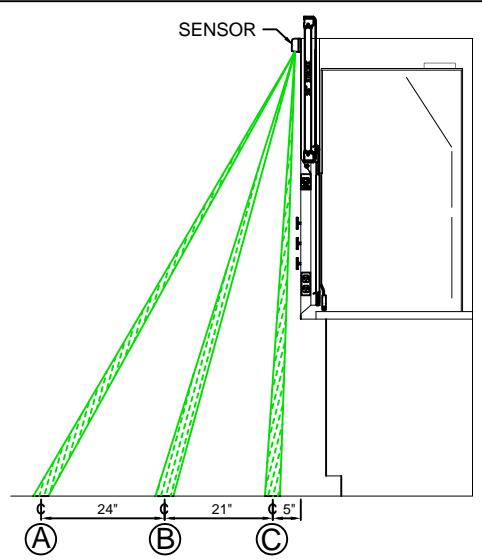
SO5 SASH SENSOR W/REFLECTOR AND CABLE GUIDES



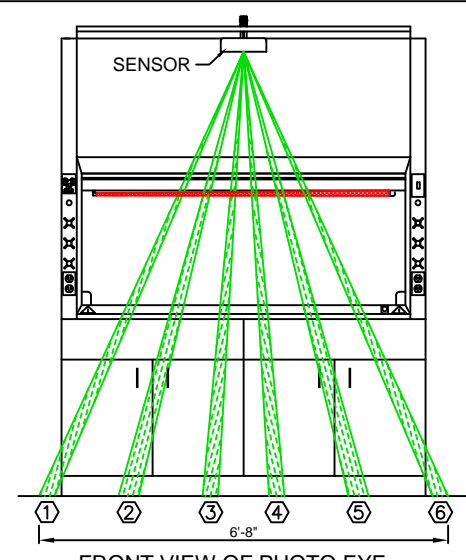
SO6 CABLE CYLINDERS



SO7 INTERIOR SASH EYE PERFORMANCE



SIDE VIEW OF PHOTO EYE
A = MOTION DETECTION AREA
B & **C** = PRESENCE DETECTION AREA
A & **B** CAN BE ELIMINATED (SWITCHED OFF)



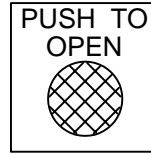
FRONT VIEW OF PHOTO EYE
1 **2** OR **5** **6** CAN BE SWITCHED OFF FOR SMALLER HOODS

SO8 EXTERIOR, ACTIVE INFRARED PRESENCE SENSOR

STANDARD EQUIPMENT:

NEW-TECH
866-631-8324
AUTO OPEN PUSH BUTTON
ASPS™
SASH EYE OBJECT DETECTED
NEW-TECH Patents:
6,024,638; 5,759,096
4,774,878; 4,502,375

TWO-POSITION SWITCH
AUTOMATIC ADJUSTABLE SASH
PUSH BUTTON ADJUSTABLE SASH
WITH SASH EYE OBJECT DETECTED



SASH RAISES AT THE
"PUSH OF A BUTTON"
(GREEN)

REF. DETAIL

REF. DETAIL

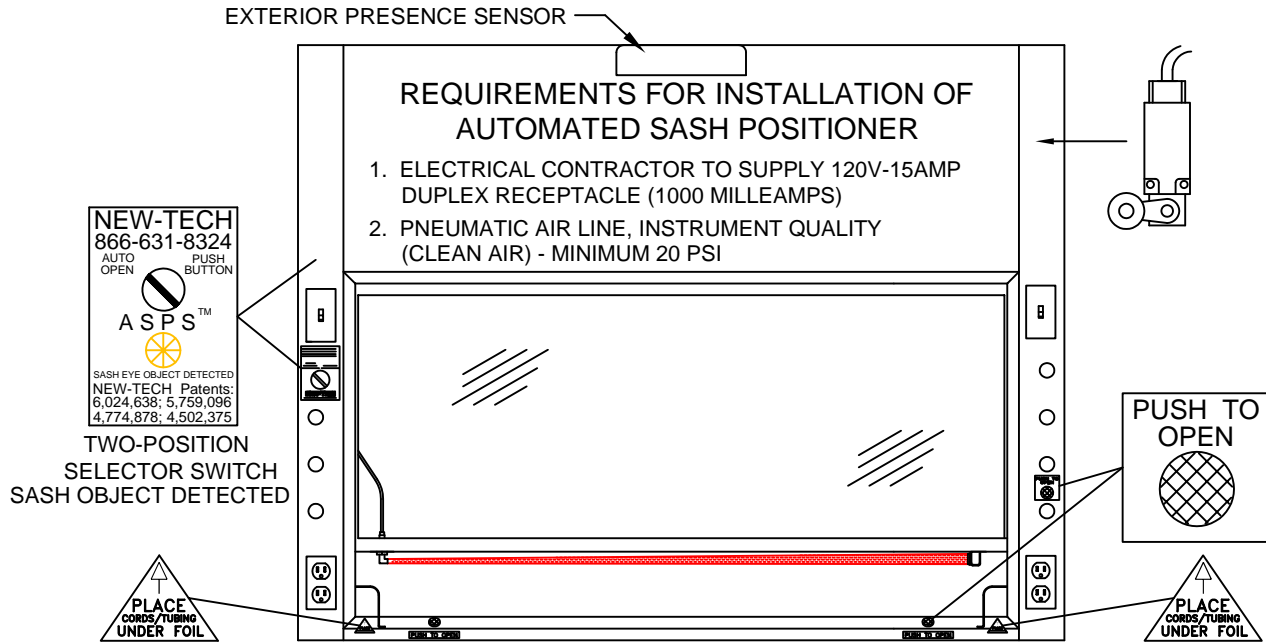
SASH SENSOR / REFLECTOR
EXTERIOR, PRESENCE SENSOR

SO5 / SO7
SO8

LIMIT SWITCH
CABLE CYLINDER

SO4
SO6

WARRANTY - 24 MONTHS ON ALL SERVICE AND MATERIALS. SERVICE CONTRACTS AVAILABLE.



OPTIONAL SELECTOR SWITCH

NEW-TECH
866-631-8324
AUTOMATIC SASH MANUAL SASH
NEW-TECH Patents:
6,024,638; 5,759,096
4,774,878; 4,502,375

ON/OFF SWITCH FOR
AUTOMATIC FULL OPEN
OR MANUAL SASH

NEW-TECH
866-631-8324
FULL SASH ADJ. SASH
NEW-TECH Patents:
6,024,638; 5,759,096
4,774,878; 4,502,375

TWO-POSITION SWITCH FOR
FULL OPEN AND ONE
OTHER SETTING
TYPICALLY 18".
DESIRED SETTING _____ "

NEW-TECH
866-631-8324
1 FULL SASH 2 ADJ. SASH
NEW-TECH Patents:
6,024,638; 5,759,096
4,774,878; 4,502,375

THREE-POSITION SWITCH
FOR FULL OPEN AND TWO
OTHER SETTINGS--
TYPICALLY 8" AND 18"
DESIRED SETTINGS
_____ " AND _____ "

NEW-TECH
866-631-8324
AUTO SASH PUSH BUTTON SASH
NEW-TECH Patents:
6,024,638; 5,759,096
4,774,878; 4,502,375

TWO-POSITION SWITCH FOR
AUTOMATIC FULL SASH
PUSH BUTTON FULL SASH

LOSS OF POWER - "RESET-TO-CONVENTIONAL" (ADDITIONAL SOLENOID VALVE RESETS HOOD TO MANUAL OPERATION, DEPRESSURIZING CYLINDER.) WITHOUT THIS, MANUAL DISCONNECTION OF THE AIR LINE & ADJUSTMENTS MADE AT THE CONTROL BOX & REGULATOR ARE REQUIRED.

MANY OTHER OPTIONS AVAILABLE - PLEASE CALL TO DISCUSS.

NEW-TECH

A DIVISION OF ZEIGLER ENTERPRISES, INC. PH.(866) 631-8324

THESE PRODUCTS ARE COVERED BY ONE OR MORE OF THE FOLLOWING PATENTS:

6,024,638; 5,759,096; 5,303,659; 4,774,878; 4,502,375 AND OTHER U.S.A./FOREIGN PATENTS PENDING